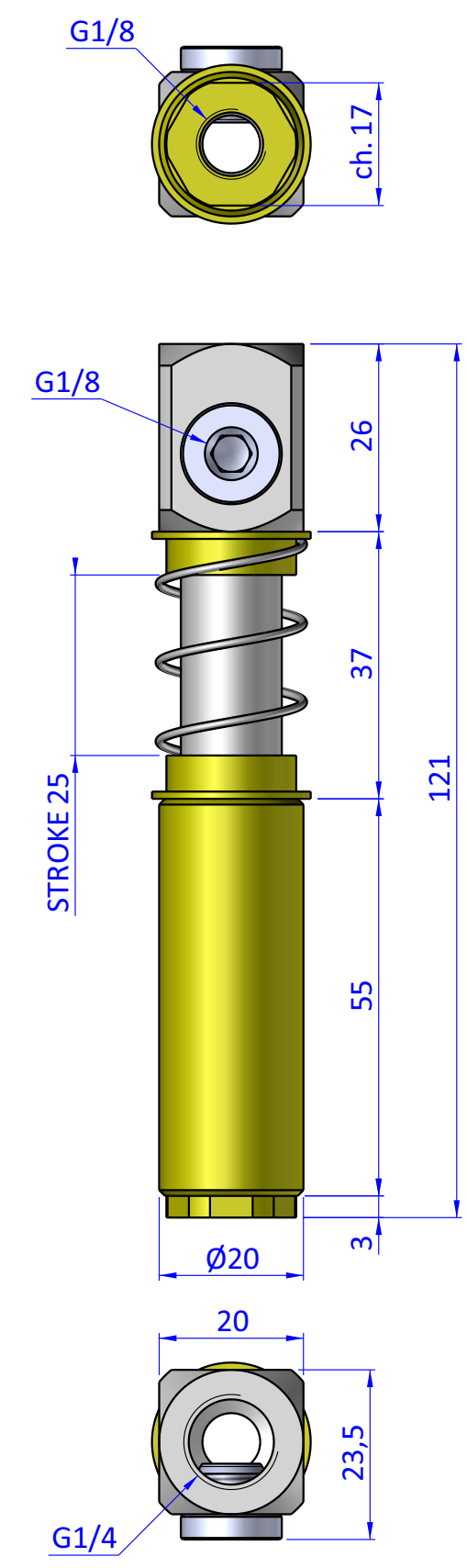
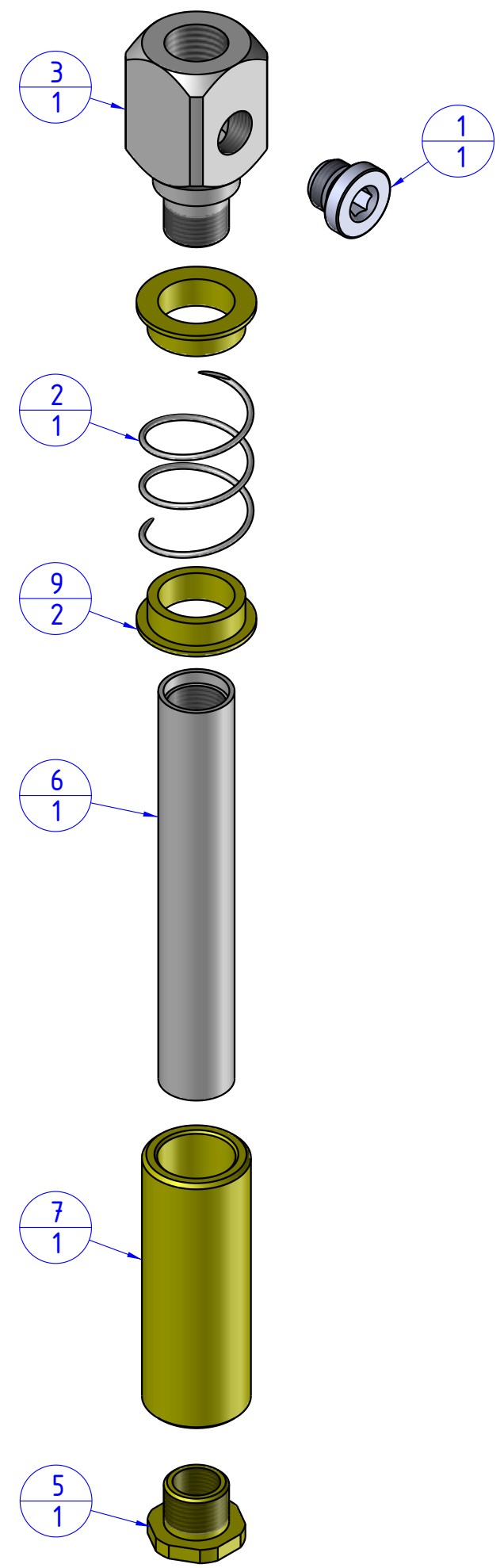



THE PROPERTY OF THE DRAWING IS ESTABLISHED BY LAW. IT IS FORBIDDEN TO PRODUCE OR SHOW IT TO THIRD PART. WITHOUT A WRITTEN AGREEMENT.

Item	Name	Q.ty
9	SAR.20141825.4	2
1	CA.08.14.014	1
2	M.21x44	1
3	SAE.20141825.1	1
5	SAE.20141825.5	1
6	SAR.20141825.2	1
7	SAR.20141825.3	1



Format A3
UNI 936-76

 FPS FPSERVICES AUTOMATION		DESIGNED FROM FPS Automation		REVIEW A	
		DATE 27/12/2021	WEIGHT 0,144kg		
GENERAL TOLERANCE UNI - ISO 2768 CLASSE f	DESCRIPTION CA.SAEG.20141825		CODE CA.SAR.20141825		